

Instruction Guide MIXING CIM PREMIX AND ACTIVATOR

It is critical that the appropriate amount of CIM Activator be mixed with the appropriate amount of CIM Premix. Therefore, each CIM product comes packaged with pre-measured quantities of Activator and Premix. Each pre-measured container has a color coded label in order to assist with identifying the appropriate Premix and Activator. One gallon cans of Premix are to be mixed with the appropriate bottle of Activator, and five gallon pails of Premix are to be mixed with the appropriate jugs of Activator. **One and only one bottle/jug of activator must be used for each can/pail of premix product.**

A 1/2" drill (at least 5 amp and 400-900 rpm) and appropriate mixing paddle should be used to mix all CIM products. One (1) gallon cans should be mixed with a 3" spiral blade (see Figure 1), and five (5) gallon pails with an 8" mud mixer (see Figure 2). All products are to be mixed for three (3) minutes. To assure proper and thorough mixing with minimal manpower, C.I.M. Industries recommends using a Mixing Jig and Timer for all jobs. When using a Mixing Jig, cut the mixing paddle shaft so that bottom of paddle is between one quarter inch and three quarter inches from the bottom of the pail. Different CIM Premix products may have different pail heights.

- Fan blade or rod style mixers shall not be used! (see Figure 3)
- Jiffy mixers may be used for one (1) gallon cans only. (see Figure 1)
- Never mix CIM products by hand!
- Mixing Jigs should not be used on CIM 1000 Trowel Grade.
- **Do not thin!** If material is too viscous, it should be warmed to 75°F to 95°F.
- Do not mix water or air into the pail!
- CIM Activator is not a catalyst! Do not add more or less than one bottle of Activator to each pail of Premix! Changing the mix ratio will not affect cure times but will alter coating or liner performance.
- Keep Premix and Activator at 75°F to 95°F for lower viscosity and easy mixing.

Figure 1
 Mixer for 1 Gallon Kits



Figure 2
 Mixer for
 5 Gallon Units

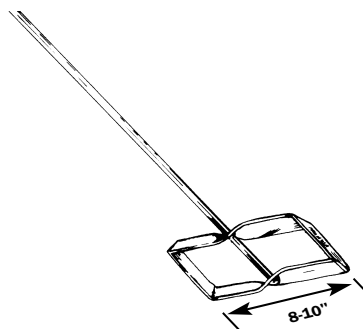


Figure 3

